

Ledge Handles

Stainless Steel

SPECIFICATION

Stainless steel precision casting AISI 316 A4

Matte shot-blasted finish **GS**

INFORMATION

The ledge handle GN 730.5 is used on doors, guards and hatches on machines, as well as on drawers and pull-out units.

Due to the material used, the handle is intended especially for use in corrosive environments with aggressive media.

The ledge handle is made in a way that does not allow pooling of fluids, which makes cleaning easier and prevents build up of residue and bacteria.

It can be attached from the back side via the mounting thread. Alternatively, the handles can be welded from the front.

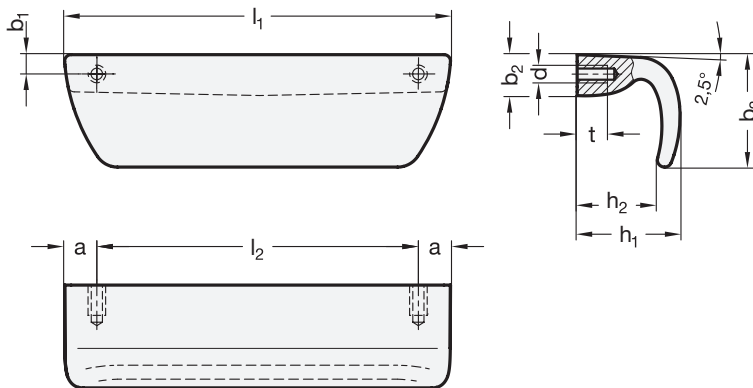


ON REQUEST

- Polished or powder coated

TECHNICAL INFORMATION

- Stainless Steel Characteristics (see page A26)



GN 730.5

STAINLESS STEEL

Description	l_1	a	b_1	b_2	b_3	d	h_1	h_2	l_2	t min.	
GN 730.5-A4-120-GS	120	10	6	12.5	35	M 6	32	25	100	9	347